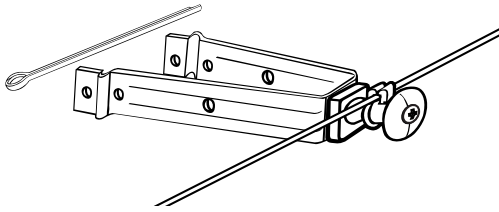
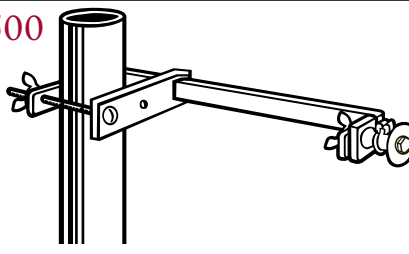
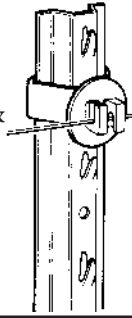
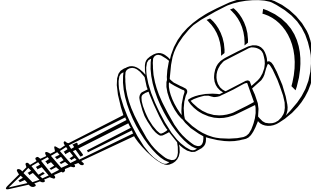
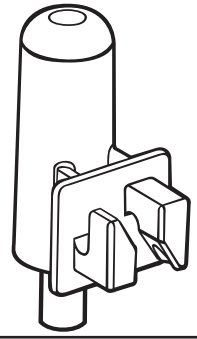

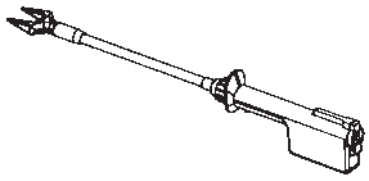


Specialty Insulators

<p>SF-20180</p>  <p>Heavy duty 19 ga. steel clip with Elfin insulator carries wire 5" from post. Fits either side. Complete with Jr. Twister. Metal parts plated.</p> <p>10/Bag 10 Bags/CTN</p>	<p>SF-20500</p>  <p>Extension bracket insulator. Extends insulator 8" from round metal posts, round or square wooden posts, or flat areas.</p> <p>8/Bag 10 Bags/CTN</p>	<p>SU-25</p>  <p>SNUG U-POST & CHAIN LINK INSULATORS Fits chain link fabric and 1-3/4" to 2-1/8" width U-posts. YELLOW.</p> <p>25/Bag 20 Bags/CTN</p>
--	---	--

<p>SF-20275</p>  <p>RING INSULATOR FOR WOOD POSTS. Unique angled slot ensures wire retention. Works with wire and polyrope. Black color only.</p> <p>PKG 25/Bag 10 Bags/CTN</p>	<p>SC-940 Insulator</p>  <p>SAFETY CAP & INSULATOR FOR 3/8" AND 5/16" STEEL POSTS — Protects horses and other valuable animals from sharp-edged posts. Accommodates any gauge wire including high-tensile wire. Yellow.</p> <p>25/Bag 10 Bags/CTN</p>
---	--

Stock Prods


<p>SS-36 Cattle Prod</p>  <p>Magic shock stock prod. High and low switch enables the selection of high and low voltage output to deal with different animals. Flexible shaft. Two Year Limited Warranty on driver motor</p> <p>PKG 1/Box</p>	<p>MSP-22</p>  <p>Magrath stock prod. Flexible shaft. One Year Warranty on driver.</p> <p>1/Box</p>
---	---

Shafts

Note: All shafts interchangeable.
Please specify Red Horn (RH) or Standard (SD).

FX22	22" Flexible shaft (Actual length 11 1/2")
FX36	36" Flexible shaft (Actual length 25 1/2")
FX42	42" Flexible shaft (Actual length 43 1/2")
M-9	Magrath 9" shaft
M-22	Magrath 22" shaft (the standard shaft)
M-34	Magrath 34" shaft (1 ft. longer than the standard shaft)
M-44	Magrath 44" shaft


ALK-C Battery



Hot Shot Alkaline 'C' Battery. Guaranteed 2 years on the shelf. Lasts 12 times longer than regular hot shot batteries.

6/Box

HP-1502 Hand Held Stock Prod



Light weight (8.2 oz. with batteries), ergonomically designed, and excellent for carry-on and close-in work. This unit uses four "AA" batteries (which have a longer life and is more economical than two "9" Volt batteries.)

1/Box

Call toll free: 1-800-858-0485