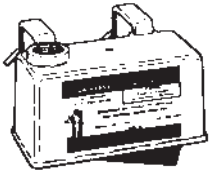
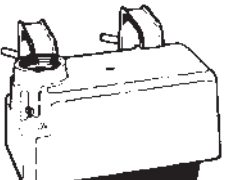
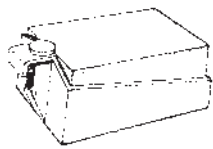
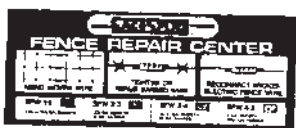

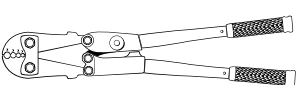
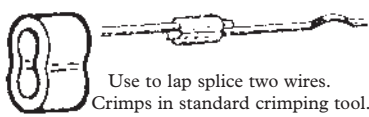





## Float Valves

<p><b>798</b></p>  <p>Capacity up to 300GPH. Tough hi-impact weather resistant plastic housing. Operates from 3/4" garden hose. Styrofoam float protected in styrene case cannot be punctured like a hollow float. Replaceable orifice. Plated hanging brackets and screws</p>	<p><b>1780</b></p>  <p>Capacity up to 300 GPH. Die-cast aluminum housing. Operates from 3/4" garden hose. Brass hose thread liners stops corrosion. Styrofoam float cannot be punctured like a hollow float. Replaceable orifice. Plated hanging brackets and screws.</p>	<p><b>1041</b></p>  <p>Replacement float assemblies for 766, 767, 1527, 1780, 1800, 1530, 798, and 1801.</p>
QTY 6	QTY 6	QTY 1

## Fence Splicing Equipment

<p><b>Free Splicing Center Display</b></p> 	<p><b>CT-1 SACO Splice/Cut Tool</b></p>  <p>Repairs any wire fencing. Including barbed, woven, and electric high tensile. Splice or cut wit this versatile tool 18" dual purpose tool with adjustable case. One Year Warranty</p>	<p><b>SF-20320 Splice tool</b></p>  <p>Multi-groove hand tool to press sleeves SFW 1-2 thru SFW 5-6 and line taps FWT 3-4 and FWT 4-5.</p>	<p><b>Aluminum Splicing Sleeves</b></p>  <p>Use to lap splice two wires. Crimps in standard crimping tool.</p> <p>SF-20424A: For 17 ga. electric wire - 25/BAG SF-20425A: For 12 ga. hi-tensile wire - 25/BAG SF-20415A: For 15 ga. barbed wire - 100/BAG SF-20426A: For 9 ga. smooth and some 12 ga barbed wire - 10/BAG SF-20427A: For 12 ga. barbed wire - 10/BAG</p>
<p><b>LBW1 Wire Splices</b></p>  <p>12 1/2 - 14 gauge wire or 9 gauge smooth wire. One splice per joint.</p>	<p><b>400-456 Wire Link</b></p>  <p>In-line mechanical splice. Used for splicing two smooth 12 1/2 gauge wires by inserting both wires as far as possible into the ends of the link.</p>	<p><b>SF-20560 Wire Taps</b></p>  <p>FWT3-4. 12 1/2 to 14 1/2 GA smooth &amp; 15 1/2 GA barbed fence wire to 12 1/2 - 16 GA smooth hook-up wire. Not a splice. Use to connect hook-up or grounding wire to fence. Crimps in standard crimping tool.</p>	
PKG 100/BOX	PKG 1	PKG 1	PKG 1

## Aluminum Wire

Item #	Description	Pkg.	Wt. Pkg.	Breaking	Tensile Strength
AW250	150' 17 gauge	16	16#	90#	38000PSI
AW1320	1/4 mile - 17 gauge	8	31#	90#	38000PSI
AW2640	1/2 mile - 17 gauge	4	29#	90#	38000PSI
FW07	1/4 mile - 14 gauge	8	64#	215#	38000PSI
FW08	1/2 mile - 14 gauge	4	64#	215#	38000PSI
FW04	1/4 mile - 15 gauge	8	53#	150#	38000PSI
FW21	1/4 mile - 12 1/2 gauge	4	56#	360#	50000PSI

## Steel Wire

Item #	Description	Pkg.	Wt. Pkg.	Breaking	Tensile Strength
WC100	100 ft coil, 17 gauge	25	14	125-145	90,000-105,000
WC250	250 ft coil, 17 gauge	12	15	125-145	90,000-105,000

Call toll free: 1-800-858-0485