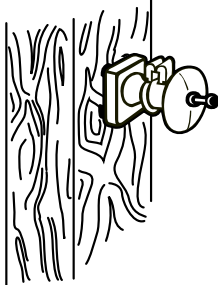
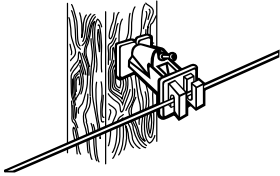
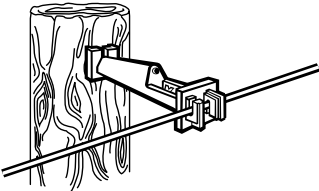
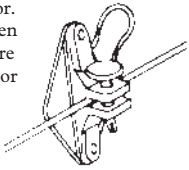

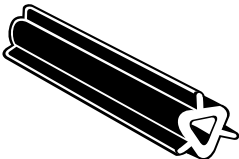

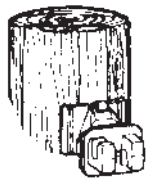
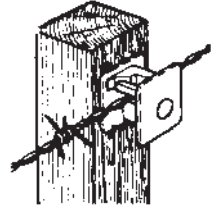

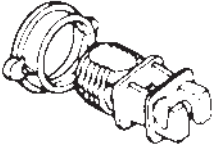


Insulators

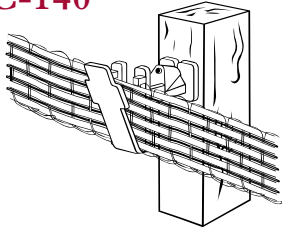
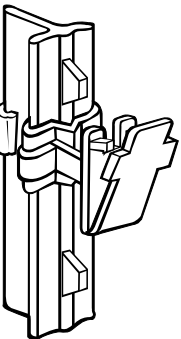
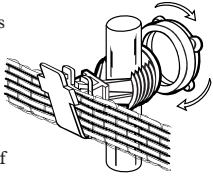

Wood Post Insulators

<p>ELFWP-25</p>  <p>Sure Corral electric fence insulators with double-headed nails for use on wood post. Yellow</p>	<p>SWP-25</p> <p>Our best wood post insulator. Slant nail design extends 2" from post. Made of heavy ABS/Polyethylene combination for longer life. Double-headed nails. Yellow</p> 	<p>SC-30</p>  <p>Extends 5" from post. Full 3" of wooden rests on spike. Rugged cross sections of linear Polyethylene. Nails included. Yellow</p>	<p>2249</p> <p>Pin lock insulator. Molded pin, when locked, holds wire tightly to insulator so the wire can be released. Recommended for high tensile. Black</p> 	
PKG 25/Bag 10 Bags/CTN	25/Bag 10 Bags/CTN	25/Bag 10 Bags/CTN	25/Bag 20 Bags/CTN	
<p>SNUG HT & SNUG HT/N</p> <p>Able to withstand the pressure of high tensile fencing. Can be installed before or after stringing wires. Molded of durable Polypropylene. 2 hot dipped galvanized roofing nails included. Black</p> 	<p>SF-20054</p>  <p>Tube insulator. Rigged polypropylene. For 12.5 gauge wire. 4" long, 3/8" diameter. Black</p>	<p>SC-75</p>  <p>For wood, metal and T-posts. Molded pin holds wire tightly-pull pin to release the wire. Black color only. Packed 25 per bag.</p>	<p>SNUG 1728</p>  <p>Slant nail design for better performance. Extends 1". Solid wire holders take heavy barbed wire. Molded of all-weather polyethylene. Yellow</p>	<p>BWWP-25</p>  <p>Black Widow insulator with nail. High quality wide flange polyethylene "All Weather" Insulator</p>
25/Bag 20 Bags/CTN	200/Bag 10 Bags/CTN	25/Bag 10 Bags/CTN	25/Bag 20 Bags/CTN	25/Bag 20 Bags/CTN

Round Post Insulators

<p>TGN-25</p>  <p>Triple Groove Insulator Smooth and glossy white like porcelain. Does not shatter or crack if accidentally hit with hammer. Tough, linear polyethylene. No leather washer needed.</p>	<p>RP-25</p>  <p>Hot wire carried twice as far from post. Larger hole for larger posts. Fits 1/4" to 9/16" round posts, and 1/4" fiberglass T-Posts. Yellow</p>
PKG 25/Bag 20 Bags/CTN	25/Bag 20 Bags/CTN

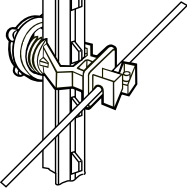
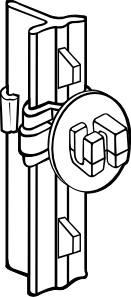
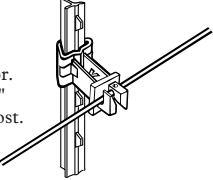
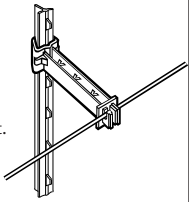
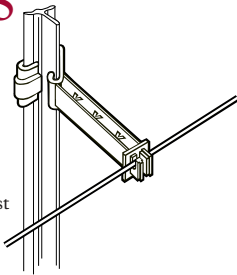
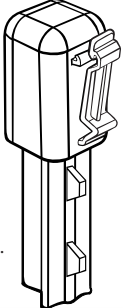
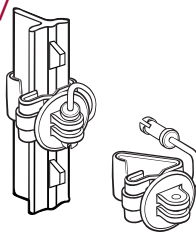
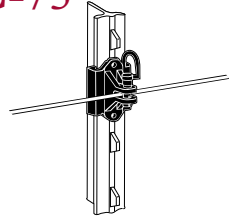
Polytape Insulators

<p>SC-140</p>  <p>For Wood Posts. Takes all polytape up to 2" wide. Grips tape tightly to prevent whipping and sawing. Molded of all-weather polyethylene. Nails included.</p>	<p>SC-160</p>  <p>For Studded T-Posts. Takes all polytape up to 2" wide. Grips tape tightly to prevent whipping and sawing. Insulator fits 1.25 and 1.33/ft. T-posts molded of all-weather polyethylene.</p>	<p>SC-150</p>  <p>For Round Posts. Takes all polytape up to 2" wide. Grips tape tightly to prevent whipping and sawing. Insulator fits round posts 1/4" to 9/16" diameter. Molded of all-weather polyethylene.</p>	<p>2332</p>  <p>Takes all polytape up to 1 1/2" wide. Grips tape tightly to prevent whipping and sawing. Insulator fits full weight 1.0 & 1.12#/ft. U posts. Molded of all-weather polyethylene.</p>
25/Bag 10 Bags/CTN	25/Bag 10 Bags/CTN	25/Bag 10 Bags/CTN	25/Bag 10 Bags/CTN


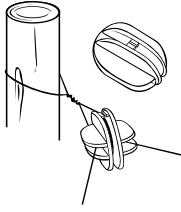

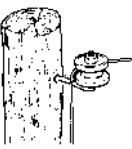
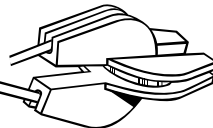
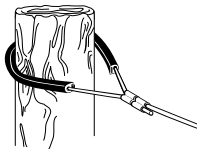

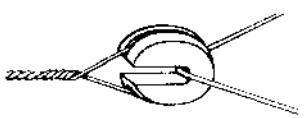



Call toll free: 1-800-858-0485

Insulators

T-Post Insulators

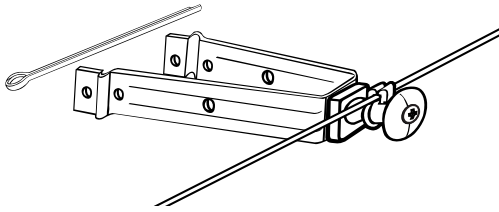
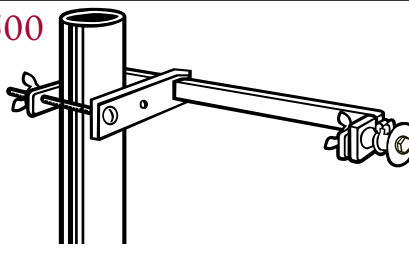
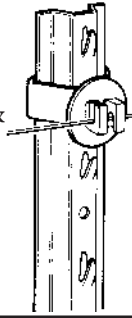
<p>SC-60</p>  <p>Screw-on T-post Insulator. Our best T-post insulator. Screws on. Most secure of all. Yellow</p> <p>PKG 25/Bag 10 Bags/CTN</p>	<p>SC-15</p>  <p>SNUG-FITTING T-POST INSULATOR. Fits securely on standard studded T-posts. One molded piece — needs no hardware. YELLOW.</p> <p>25/Bag 10 Bags/CTN</p>	<p>SC-10</p>  <p>T-post insulator. Wire carried 2" from face of post. Fits standard 1.25 & 1.33 # ft. studded T-posts. Large flange stops electric leaks. Grips 3 sides of post. Yellow</p> <p>25/Bag 10 Bags/CTN</p>	<p>SC-20</p>  <p>T-post insulator. Wire carried 5" from face of post. Fits standard 1.25 and 1.33 #/ft. studded T-post. Large flange stops electric leaks. Grips all 3 sides of post. Yellow</p> <p>25/Bag 10 Bags/CTN</p>
<p>SC-25</p>  <p>5" snap-on reversed T-post insulator fits securely on all sizes of T-posts, imported and domestic. Extends wire 5" from post. Yellow</p> <p>PKG 25/Bag 10 Bags/CTN</p>	<p>SC-950</p>  <p>T-post topper. Protects valuable livestock from sharp, jagged, T-post tops. Also serves as a large, heavy-duty electric fence insulator for the top of a T-post. Fits 1.0, 1.25, and 1.33/ft. T-post. Molded of weatherproof polyethylene. Yellow</p> <p>10/Bag 10 Bags/CTN</p>	<p>SC-77</p>  <p>Pin-lock for T-post. Pin-lock insulator. Molded pin, when locked, holds wire tightly to insulator and the wire can be released. Recommended for high tensile.</p> <p>25/Bag 10 Bags/CTN</p>	<p>SC-75</p>  <p>Pin-lock Wood and T-post insulator. Molded pin holds wire tightly — pull pin to release the wire.</p> <p>25/Bag 10 Bags/CTN</p>

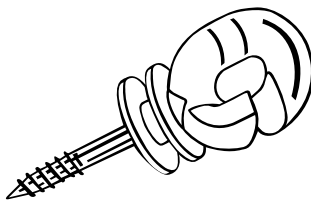
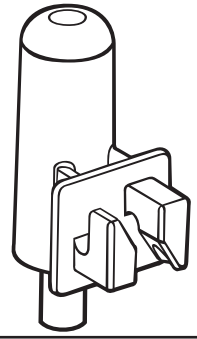
Corner Insulators

<p>SF-20870</p>  <p>High-strength corner insulator. Molded of heavy-duty fiberglass-reinforced nylon</p> <p>10/Bag 10 Bags/CTN</p>	<p>SC-850</p>  <p>Sure Corral electric fence corner post insulator. Thick, tough plastic withstands strain of wire. Yellow</p> <p>10/Bag 10 Bags/CTN</p>	<p>SF-20860</p>  <p>For high-tensile, permanent or temporary electric fence. Use in high strain applications.</p> <p>10/Bag 10/CTN</p>	<p>451</p>  <p>Use for inside corner or as an end insulator. Withstands the constant stress of high tensile fencing. Heavy 3/8" diameter formed wood screw threaded bracket. Complete with hard, black insulator and self locking fastener.</p> <p>10/Box 5/CTN</p>	<p>2210</p>  <p>DOUBLE U END AND CORNER INSULATOR. Suitable for high tensile. BLACK.</p> <p>10/Box 20 Bags/CTN</p>	<p>SF-20541</p>  <p>Tubular Insulator for corner posts. Designed for high tensile fences. Insulator has metal lining to prevent cut-through. Black</p> <p>10/Bag 10 Bags/CTN</p>
<p>SF-21936</p>  <p>Porcelain corner insulator. Old fashioned "doughnut" style.</p> <p>10/Box 25 Box/CTN</p>	<p>SF-21904</p>  <p>Porcelain C-shaped Corner Insulator.</p> <p>10/Box 6 Box/CTN</p>	<p>SF-21933</p>  <p>Porcelain Corner insulator. 1 1/16" screw. For high pressure in corners.</p> <p>25/CTN</p>	<p>SF-21929</p>  <p>Porcelain Corner insulator. 2 1/4" screw. For high pressure in corners. For heavier wire, including barbed wire.</p> <p>25/CTN</p>	<p>SF-21905</p>  <p>Single groove Wood post insulator w/washer & double headed nail.</p> <p>25/BOX 20/CTN</p>	


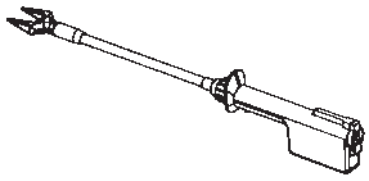
Call toll free: 1-800-858-0485

Specialty Insulators

<p>SF-20180</p>  <p>Heavy duty 19 ga. steel clip with Elfin insulator carries wire 5" from post. Fits either side. Complete with Jr. Twister. Metal parts plated.</p> <p>10/Bag 10 Bags/CTN</p>	<p>SF-20500</p>  <p>Extension bracket insulator. Extends insulator 8" from round metal posts, round or square wooden posts, or flat areas.</p> <p>8/Bag 10 Bags/CTN</p>	<p>SU-25</p>  <p>SNUG U-POST & CHAIN LINK INSULATORS Fits chain link fabric and 1-3/4" to 2-1/8" width U-posts. YELLOW.</p> <p>25/Bag 20 Bags/CTN</p>
--	---	--

<p>SF-20275</p>  <p>RING INSULATOR FOR WOOD POSTS. Unique angled slot ensures wire retention. Works with wire and polyrope. Black color only.</p> <p>PKG 25/Bag 10 Bags/CTN</p>	<p>SC-940 Insulator</p>  <p>SAFETY CAP & INSULATOR FOR 3/8" AND 5/16" STEEL POSTS — Protects horses and other valuable animals from sharp-edged posts. Accommodates any gauge wire including high-tensile wire. Yellow.</p> <p>25/Bag 10 Bags/CTN</p>
---	--

Stock Prods


<p>SS-36 Cattle Prod</p>  <p>Magic shock stock prod. High and low switch enables the selection of high and low voltage output to deal with different animals. Flexible shaft. Two Year Limited Warranty on driver motor</p> <p>PKG 1/Box</p>	<p>MSP-22</p>  <p>Magrath stock prod. Flexible shaft. One Year Warranty on driver.</p> <p>1/Box</p>
---	---

Shafts

Note: All shafts interchangeable.
Please specify Red Horn (RH) or Standard (SD).

FX22	22" Flexible shaft (Actual length 11 1/2")
FX36	36" Flexible shaft (Actual length 25 1/2")
FX42	42" Flexible shaft (Actual length 43 1/2")
M-9	Magrath 9" shaft
M-22	Magrath 22" shaft (the standard shaft)
M-34	Magrath 34" shaft (1 ft. longer than the standard shaft)
M-44	Magrath 44" shaft


ALK-C Battery



Hot Shot Alkaline 'C' Battery. Guaranteed 2 years on the shelf. Lasts 12 times longer than regular hot shot batteries.

6/Box

HP-1502 Hand Held Stock Prod



Light weight (8.2 oz. with batteries), ergonomically designed, and excellent for carry-on and close-in work. This unit uses four "AA" batteries (which have a longer life and is more economical than two "9" Volt batteries.)

1/Box

Call toll free: 1-800-858-0485